

KEY & NOTES: OUTPUTS	
	On/Off Light
	Dimming Light
	LED/RGB Light
	LED/RGBW Light
	Motor
	Contactor
	Valve
	Fan
	Motorized grille
	Doorbell
	Low current LED
	Speaker

KEY & NOTES	
	Inputs wiring
	KNX Bus

KEY & NOTES: INPUTS	
	Push Button
	Presence Detector
	Contact
	Flood Sensor
	Gas Sensor
	Fire/Smoke Sensor
	Temperature Probe
	ZN1AC-CST60 / N1AC-CST120

VIDEO INTERCOM INSTALLATION - NOTES

- Outdoor video intercom panel needs 12VDC auxiliary power supply. It can be supplied in two ways:
 - Additional 12 VDC power supply.
 - Power Over Ethernet (PoE).
 - The capacitive touch panel with Video intercom Z41COM should be connected to KNX bus of the smart home. If there is not KNX installation in homes, an additional power supply will be necessary.
- OPTIONAL ELEMENTS TO INCREASE SECURITY (which implies an extra cost):
- Security Relay: to prevent any unauthorized manipulation of the door lockings. It uses a opening code only received from GetFace IP.
 - Tamper Switch: to secure GetFaceIP against tampering by detecting intercom opening or frame removing. This module needs I/O module or Wiegand module.
- NOTE 1.- Distance limitations must be adhered to get the system works properly.
- NOTE 2.- The number of ports which switch has depends on the number of the apartments that are connected to it.
- NOTE 3.- Zennio recommends using a switch inside each apartment to connect Z41COM. In this way, when Internet services are contracted, the ISP router could be connected to this switch, without interfering with Video Intercom system.
- NOTE 4.- The maximum number of Z41COM that could be rung at the same time is equal to 8.



PROJECT NAME AND ADDRESS:

1257 Zennio Suiza - Bitelec - GetFace IP

CONTACT:

Zennio Technical Office
otec@zennio.com

ZENNIO AVANCE Y TECNOLOGIA S.L.



C/ Rio Jarama, 132 Nave P8.11 Tel. +34 925 232 002
45007 TOLEDO (Spain) www.zennio.com

DATE: 09/08/2017

FORMAT:

DIN A2

DRAWING TITLE:

GetFace IP Scheme

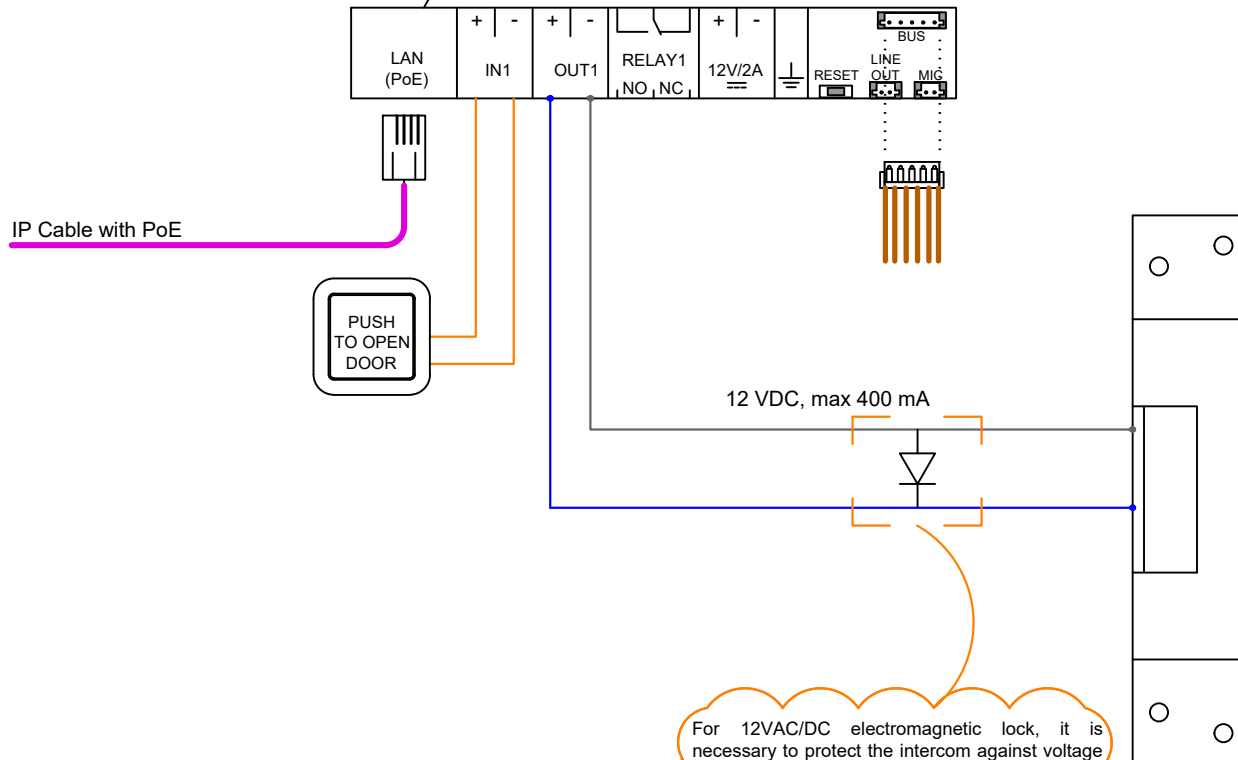
CODE:

1257_01_D01

SCALE:

1/2

- IN1: input in passive/active mode (-30V to +30V DC).
 - OUT1: active output 8 up to 12 VDC depending of power supply, max 400 mA.
 - RELAY1: 30V/1A AC/DC NO/NC contact



For 12VAC/DC electromagnetic lock, it is necessary to protect the intercom against voltage peak while switching off the induction load. For this way of protection, please, connect the varistor like is showed in the next figure near to the lock.



PROJECT NAME AND ADDRESS:	
1257 Zennio Suiza - Bitelec - GetFace IP	
CONTACT:	
Zennio Technical Office otec@zennio.com	
ZENNIO AVANCE Y TECNOLOGIA S.L.	
Zennio	
C/ Río Jarama, 132 Nave P8.11 45007 TOLEDO (Spain)	Tel.: +34 925 232 002 www.zennio.com
DATE: 09/08/2017	
FORMAT:	
DIN A4	
DRAWING TITLE:	
GETFACE IP: INTERNAL CONNECTIONS IN THE BASIC UNIT	
CODE:	
1257_01_D02	
SCALE:	
NS	



PROJECT NAME AND ADDRESS:

1257 Zennio Suiza - Bitelec - GetFace IP

CONTACT:

Zennio Technical Office
otec@zennio.com

ZENNIO AVANCE Y TECNOLOGIA S.L.



C/ Río Jarama, 132 Nave P8.11
45007 TOLEDO (Spain)

Tel.: +34 925 232 002
www.zennio.com

DATE: 09/08/2017

FORMAT:

DIN A4

DRAWING TITLE:

Tamper Switch Connection

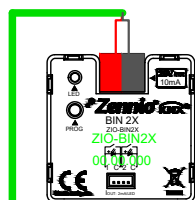
CODE:

1257_01_D03

SCALE:

NS

KNX BUS SMART HOME



TAMPER SWITCH INPUT

TAMPER SWITCH

